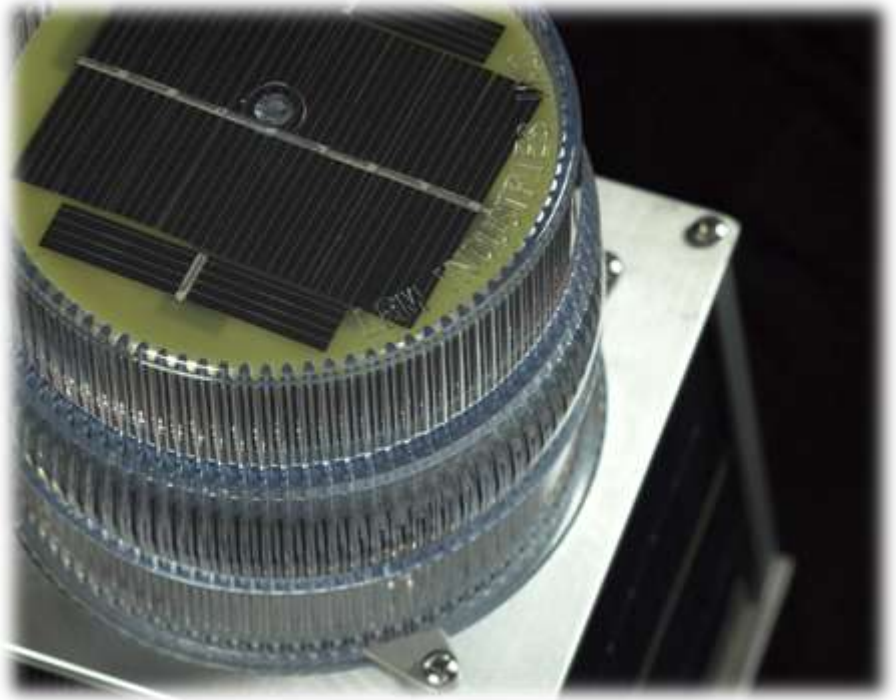


### *4 Mile Industrial Lantern*

MuSolar presents an industry first. A compact self contained solar powered lantern designed not only to be serviceable but fully upgradable. Built on a durable triple hardcoat anodized aluminum base the MuSolar T84e leaves its competition behind. Next gen optics, electronics, and mechanics make this lantern the last one you'll ever need.



#### THE T84e ADVANTAGE

- Fully serviceable/upgradeable
- Proven reliability with outstanding performance
- Easy installation - just bolt lantern down
- Lightweight design - fits on small structures
- Proprietary optics produce best in class beam quality
- Optional GPS Synchronization
- Enhanced marine safety at minimal cost

#### Ordering Information

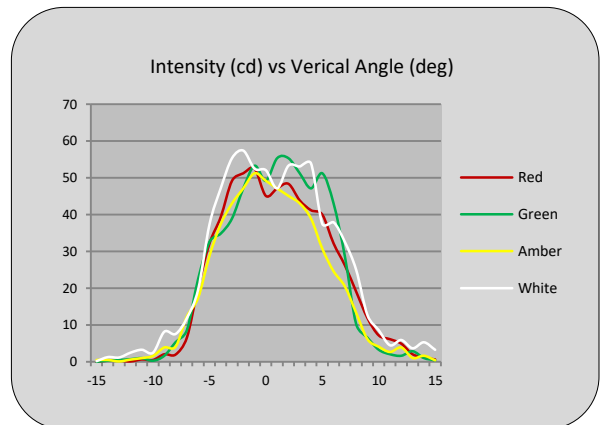
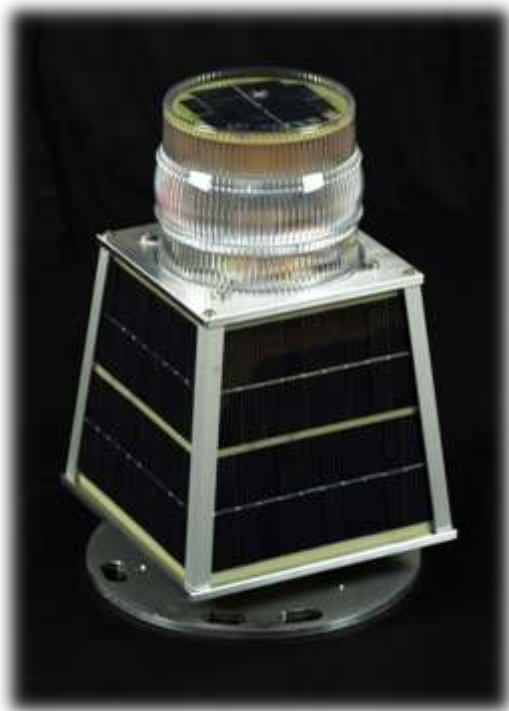
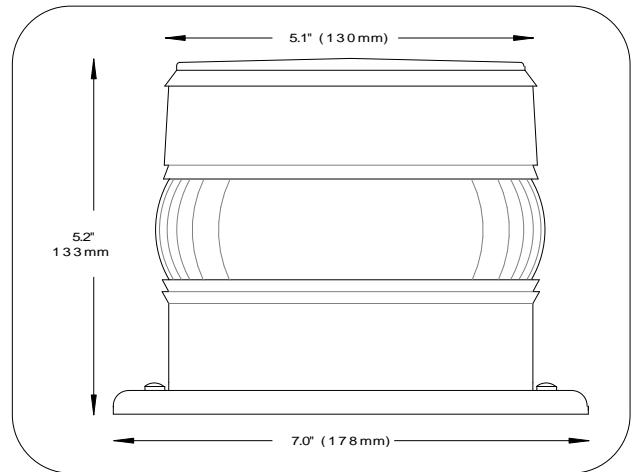
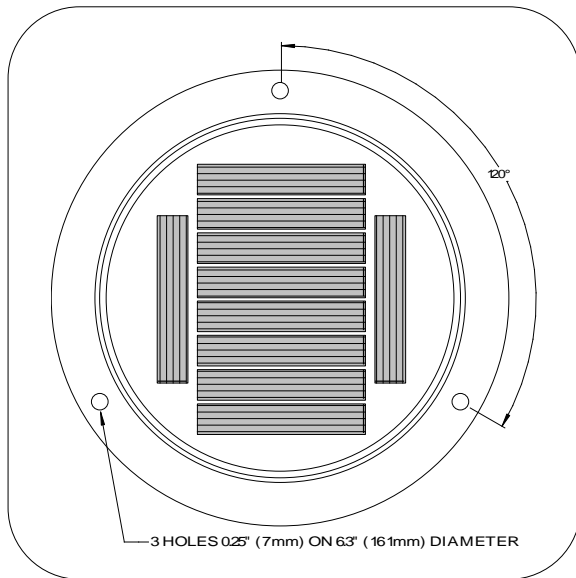
	T43A - xxxFC	Amber Lantern	(xxx = flash code)
	T84R - xxxFC	Red Lantern	(xxx = flash code)
	T84G - xxxFC	Green Lantern	(xxx = flash code)
	T84W - xxxFC	White Lantern	(xxx = flash code)
	T84B - xxxFC	Blue Lantern	(xxx = flash code)

#### Accessories

PGM256e Programmer	Universal Flash Code Programmer
T84 - BD	Stainless Steel Bird Deterrent
T84 - 10KB	Replacement Battery Pack
T8x - GPS	GPS Sync Module

This equipment complies with requirements of the U.S. Coast Guard in 33 CFR part 66.

### Industrial Lantern



**FOR MORE INFORMATION CONTACT:**

### SPECIFICATIONS

**Colors:** Amber, Red, Green, White, and Blue

**Flash Patterns:** 255 IALA flash patterns or user defined pattern

**Light Source:** 10 elliptically focused high intensity LEDs

**Optical Rating:** 35 candela minimum / 10 degrees vertical divergence

**Expected Service Life:** 25 years (Battery replacement every 5 years)

**Materials:** UV-Stabilized Lexan® Polycarbonate, Hardcoat Anodized T6061 Aluminum, 18-8 Stainless hardware

**Temperature Range:** -25° to +70° Celsius (-15° to 150° Fahrenheit)

**Physical:** 3.72Kg (8.2 lb), IP68 rated

**Warranty:** Full 5 years